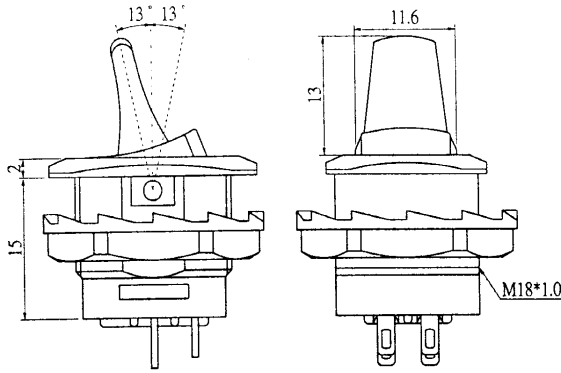


# R13-405



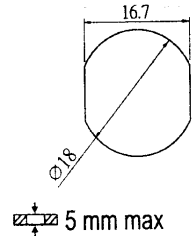
Rating  
 10A 125V AC  
 6A 250V AC

Contact resistance  
 50mΩ Max

Insulation resistance  
 DC 500V 100MΩ Min

Dielectric strength  
 AC 1500V 1 minute

Cut-out



## FEATURES

- \* MATERIAL: Frames are nylon (UL flame: 94V-2). Terminals are silver plated brass.
- \* LED indicator on the top of lever. (AL, CL, DL type only). LED available with red, amber, and green colors.

## R13-405

